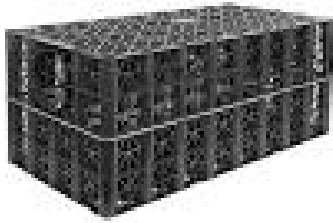


Appendix One

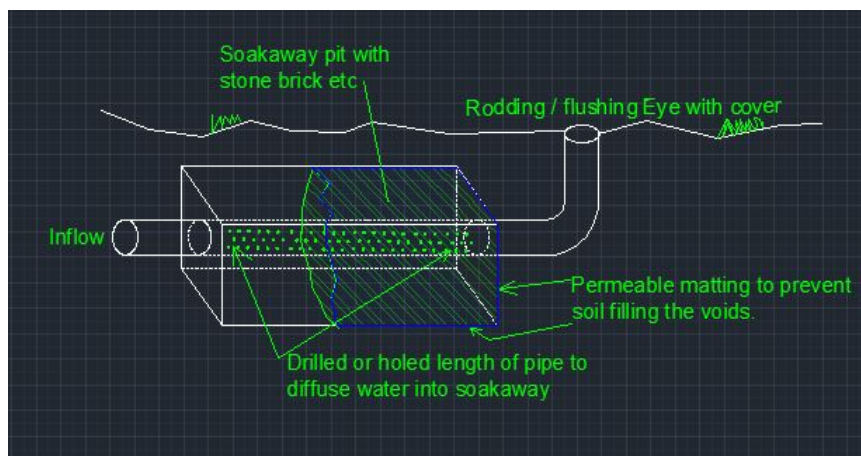
Definitions

Soakaways

These can be constructed from crates as shown below or holes dug in the ground and filled with selected stone surrounded by permeable matting. A crate soakaway holds a much larger volume of water than a stone filled one of equivalent size because its void to solid ratio is about 90% compared to a typical stone filled soakaway which may have only a 20 to 30% void to solid ratio. Consequently, to hold the same volume of water, a stone filled soakaway has to be much larger than a crate soakaway.



Crate



Soakaway pit (typical detail shown with an optional flushing eye).

Water body

For the purpose of this document a water body includes a watercourse or ditch even if periodically dry, any piped surface water systems, ponds and the sea.